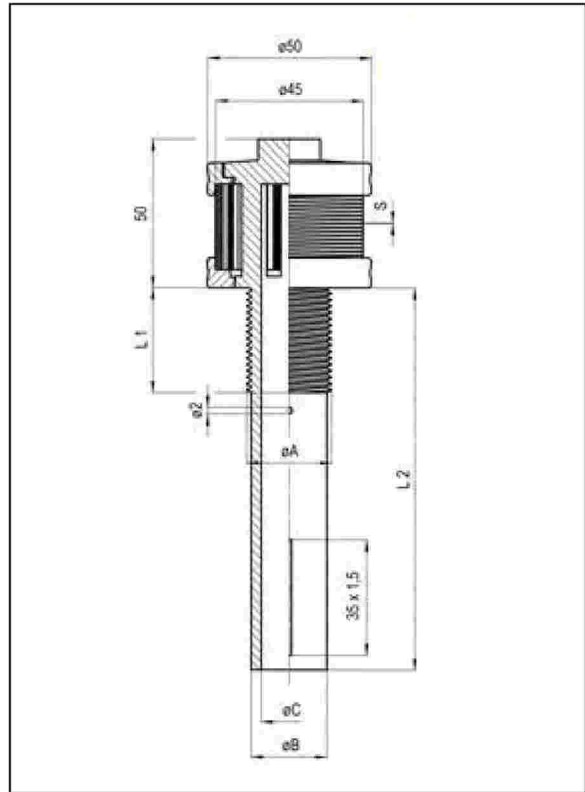
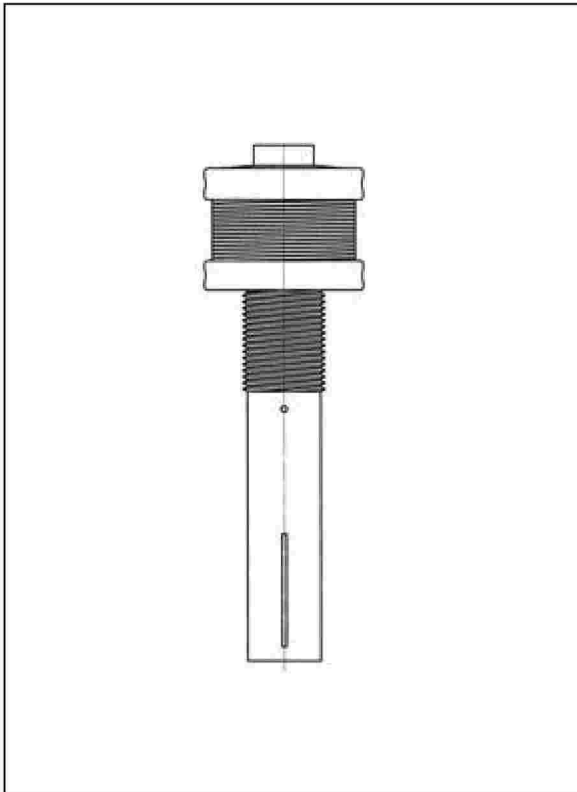


# Typ MP

## Metal-Plastic-Nozzle Type MP



L2 = Standard 120 mm inkl. Gewinde  
= Standard 120 mm incl. thread  
= Standard 120 mm incl. filetage  
= Standard 120 mm incl. rosca

B = 21 mm / 20 mm / 17 mm  
C = 18 mm / 16 mm / 14 mm

# Typ MP

**Schlitze      Slots      Fentes      Ranuras      Aberturas**

Anzahl	Breite	
17	0,1	= 2,46 cm <sup>2</sup>
16	0,2	= 4,62 cm <sup>2</sup>
15	0,3	= 6,50 cm <sup>2</sup>
14	0,4	= 8,09 cm <sup>2</sup>
13	0,5	= 9,39 cm <sup>2</sup>
11	0,75	= 11,92 cm <sup>2</sup>
10	1,0	= 14,45 cm <sup>2</sup>

**Gewinde      Thread      Filetage      Rosca**

TYP		A (mm)	L1 (mm)											
			14	15	18	20	25	30	40	50	60	65	70	80
	<b>METRIC</b>													
S 11 f	M 20 x 1,5	20				✓	✓	✓	✓	✓	✓			
S 11 g	M 20 x 2,5	20				✓		✓	✓	✓	✓	✓		
S 22 f	M 22 x 1,5	22								✓				
S 22 g	M 22 x 2,0	22						✓	✓					
S 1	M 24	24		✓		✓		✓	✓	✓	✓			
S 2 f	M 27 x 2,0	27										✓		
S 2 g	M 27 x 2,5	27						✓	✓	✓	✓			
S 3	M 30	30						✓				✓		
	<b>WITHWORTH</b>													
S 15	¾"	19,1						✓						
S 7	⅞"	22,2				✓		✓	✓					
S 10	1"	25,4				✓	✓	✓	✓	✓	✓			
S 19	1 ⅛"	28,6		✓										
S 4	1 ¼"	31,8				✓	✓	✓	✓	✓	✓			✓
S 9	1 ⅜"	34,9		✓				✓						
	<b>BSP GAZ</b>													
S 12	R ½"	21,0				✓		✓	✓	✓				
S 5	R ¾"	26,4				✓		✓	✓	✓	✓			
S 17	R ⅞"	30,2							✓					
S 8	R 1"	33,2	✓		✓	✓	✓	✓	✓	✓	✓		✓	✓

**Polsterrohr      Tube      Tuyau      Tubo**

L2	nach Wunsch
----	-------------

Material / material / matériau / materiale / material:

<b>1.4571</b>	<b>1.4539</b>	<b>PPH</b>	<b>PVDF</b>
---------------	---------------	------------	-------------