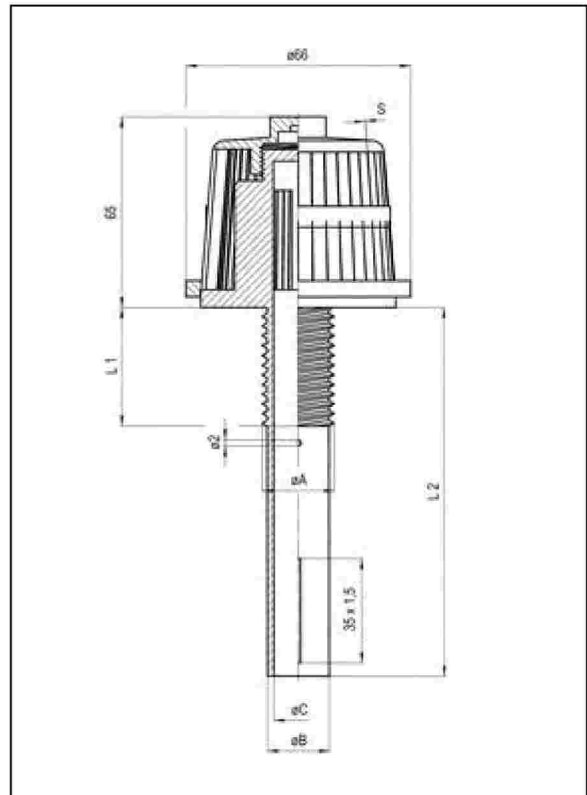
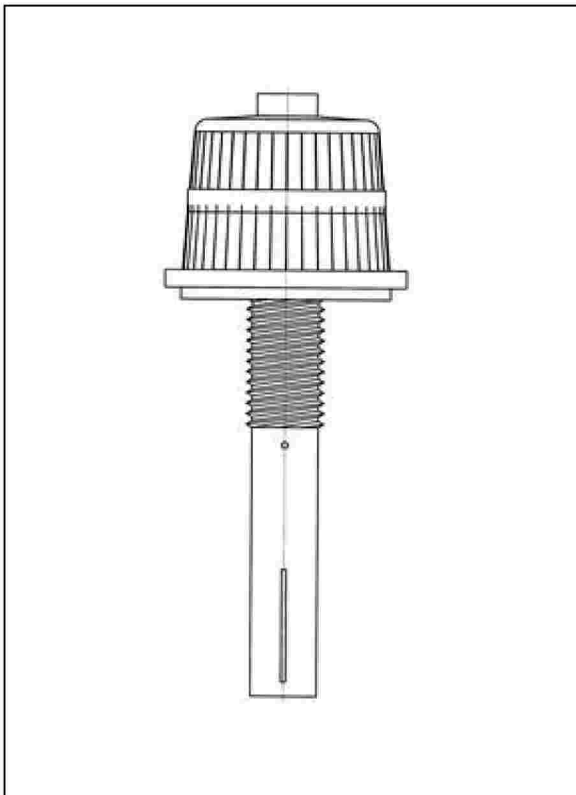


Typ HS

Cap filter nozzle Type HS



L2 = Standard 120 mm inkl. Gewinde
 = Standard 120 mm incl. thread
 = Standard 120 mm incl. filetage
 = Standard 120 mm incl. rosca

B = 17 mm / 20 mm
 C = 14 mm / 17 mm

Typ HS

Schlitze Slots Fentes Ranuras Aberturas

Anzahl	Breite	Länge	
40	0,2	36	= 2,88 cm ²
40	0,3	36	= 4,32 cm ²
36	0,7	36	= 9,07 cm ²

Gewinde Thread Filetage Rosca

TYP	METRIC	A (mm)	L1 (mm)											
			14	15	18	20	25	30	40	50	60	65	70	80
S 11 f	M 20 x 1,5	20				✓	✓	✓	✓	✓	✓			
S 11 g	M 20 x 2,5	20				✓		✓	✓	✓	✓	✓		
S 22 f	M 22 x 1,5	22								✓				
S 22 g	M 22 x 2,0	22						✓	✓					
S 1	M 24	24		✓		✓		✓	✓	✓	✓			
S 2 f	M 27 x 2,0	27									✓			
S 2 g	M 27 x 2,5	27						✓	✓	✓	✓			
S 3	M 30	30						✓			✓			
	WITHWORTH													
S 15	¾"	19,1						✓						
S 7	⅞"	22,2				✓		✓	✓					
S 10	1"	25,4				✓	✓	✓	✓	✓	✓			
S 19	1 ⅛"	28,6		✓										
S 4	1 ¼"	31,8				✓	✓	✓	✓	✓	✓			✓
S 9	1 ⅜"	34,9		✓				✓						
S 14	1 ¾"	44,5						✓						
	BSP GAZ													
S 12	R ½"	21,0				✓		✓	✓	✓				
S 5	R ¾"	26,4				✓		✓	✓	✓	✓			
S 17	R ⅞"	30,2							✓					
S 8	R 1"	33,2	✓		✓	✓	✓	✓	✓	✓	✓		✓	✓
S 18	R 1 ¼"	41,9								✓				

Polsterrohr Tube Tuyau Tubo

L2	nach Wunsch
----	-------------

Material / material / matériau / materiale / material:

PPN	PPH	PVDF
------------	------------	-------------